

MOBILE AMPLIFIERS

CA-115/CA-130/CA-160



DESCRIPTION

TOA mobile amplifiers are sure sources of precision public address sound reinforcement, combining full working versatility with rugged mobility. These mobile amplifiers have a convenient AUX jack for connecting a radio or cassette player. TOA mobile amplifiers are compact DIN size, for easy installation in most vehicles, and they come with accessible front panel controls and a unidirectional dynamic microphone.

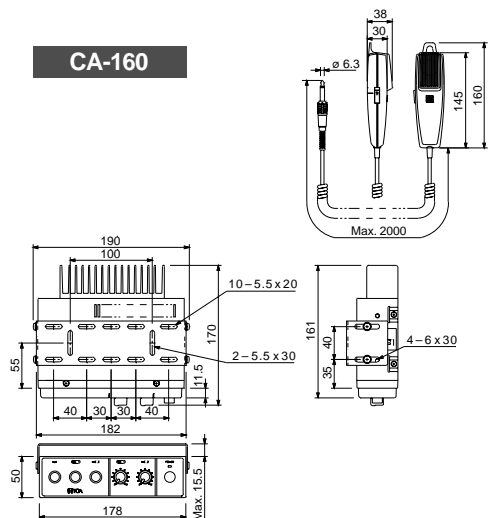
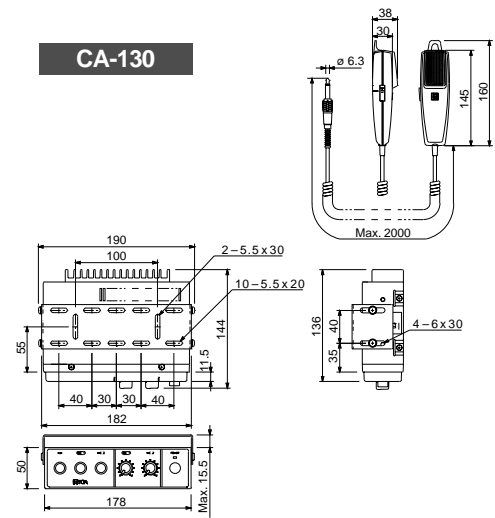
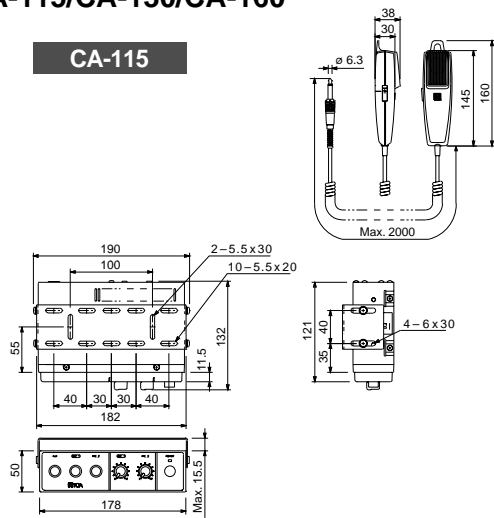
FEATURES

- CA-115 : 35 W max.
CA-130 : 60 W max.
CA-160 : 120 W max.
- Easy installation in practically any 12 V battery equipped car.
- Compact, rugged construction and front panel controls.
- Two phone jack mic. inputs and handy phone jack AUX input for external equipment connection.
- Unidirectional dynamic microphone with talk switch.

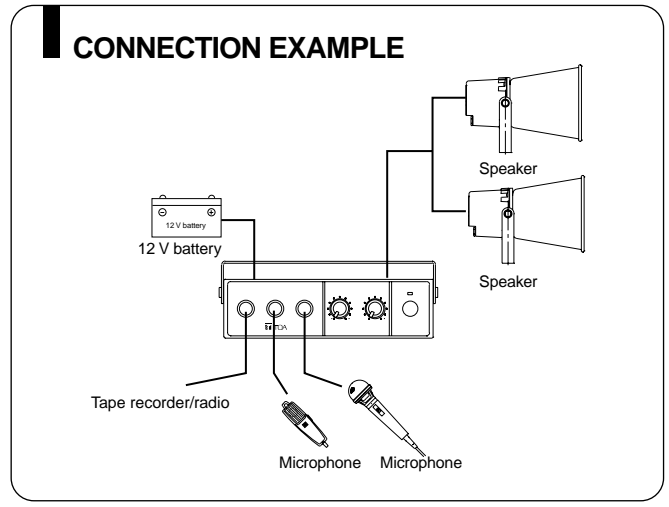
SPECIFICATIONS

	CA-115	CA-130	CA-160
Power Source	Standard voltage : 14VDC Usable voltage : 10 – 16 VDC (12 V battery used)		
Power Consumption	2.2 A or less at rated output	4.4 A or less at rated output	9 A or less at rated output
Rated Output	15 W (35 W max.)	30 W (60 W max.)	60 W (120 W max.)
Output Impedance	4 Ω (BRN), 8 Ω (ORG), Common (WHT) Changeable by changing lead wire connections		
Distortion	Less than 5 % (at 1,000 Hz rated output)		
Frequency Response	100 – 10,000 Hz		
Input	Mic 1, 2 : 600 Ω , 4 mV, Phone jack Aux : 10 kΩ, 500 mV, Phone jack		
Finish	Front panel : ABS resin, black Case : Zinc plated steel sheet		
Dimensions	178 (W) x 50 (H) x 132 (D) mm (Mounting device excluded)	178 (W) x 50 (H) x 144 (D) mm (Mounting device excluded)	178 (W) x 50 (H) x 170 (D) mm (Mounting device excluded)
Weight	900 g	1.1 kg	1.2 kg
Accessory	Microphone holder ... 1 Mounting bracket ... 1 Mounting screw ... 1 Fuse (4 A) ... 1 Connection cord ... 1 set	Microphone holder ... 1 Mounting bracket ... 1 Mounting screw ... 1 Fuse (8 A) ... 1 Connection cord ... 1 set	Microphone holder ... 1 Mounting bracket ... 1 Mounting screw ... 1 Fuse (12 A) ... 1 Connection cord ... 1 set
Accessory Microphone	Unidirectional dynamic type with talk switch Impedance : 600 Ω Sensitivity : – 53 dB (1 kHz, 0 dB = 1 V / Pa)		

APPEARANCE AND DIMENSIONAL DIAGRAMS CA-115/CA-130/CA-160



Unit : mm



TOA Corporation

URL : <http://www.toa.co.jp/>

Specifications are subject to change without notice.
Printed in Japan (003) 833-62-450-50 C.O