



AM-1 Real-Time Steering Array Microphone System



**Talk to your audience, not to the microphone.
TOA shows you how.**

*Placed flat on the podium, out of sight and out of the way,
the microphone tracks your voice and captures it clearly
and uniformly as you speak and move comfortably and naturally.*

TOA Real-time Steering Array Microphone System

Equipped with a built-in sensor to detect and track sound sources, the TOA Real-time Steering Array Microphone System captures voices clearly and continuously from either side, above or below. This frees speakers to move back and forth in the vicinity of the podium, turn or tilt their heads to address different sections of the audience, or

gesture naturally without concern for the location of the microphone. Placed unobtrusively on top of the podium or pulpit, this innovative voice-tracking microphone completely eliminates the interference and inconvenience of gooseneck or hand-held mikes. Intuitive parameter setting by iPad adds further convenience.

Unprecedented voice-tracking capability

Features a unique ability to detect the speaker's voice, and to track and capture it clearly and reliably, even if the speaker is moving.

- Built-in voice detection/tracking sensor
- Voice capture from up to 3 meters and to tracking range angles up to 180 degrees
- Level compensation for reduced volume variations
- Narrow (50-degree) directivity assuring minimal acoustic feedback



Intuitive, trouble-free setting and monitoring

Permits quick, one-touch adjustment of control unit parameter settings from an iPad* using a dedicated app or firmware.

- Tracking distance/range
- Tracking sensitivity/speed
- Mute on/off

*Adjustment by PC also possible.



New-concept desktop design

Adopts an innovative pad-like form permitting unobtrusive placement flat on the podium.

- Removal of barrier between speaker and audience
- Freedom to adopt a comfortable speaking posture
- Ability to move and gesture naturally



Microphone Unit



Rear Panel



Front Panel
Control Unit

Specifications

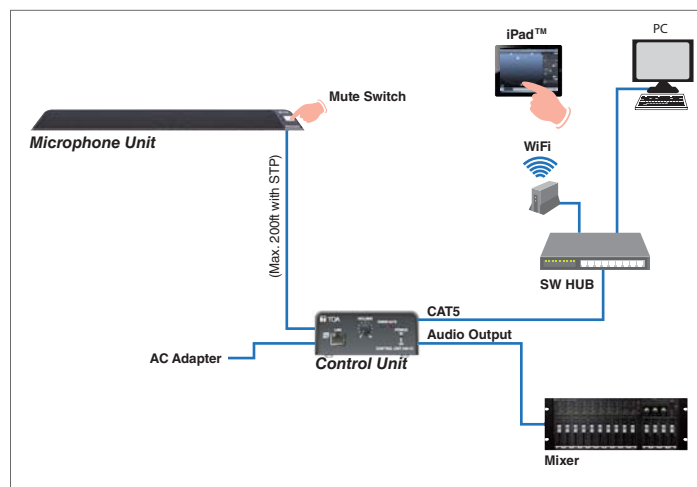
MICROPHONE UNIT (AM-1MB/AM-1MW)

Power Source	24DCV 200mA (supplied from Control Unit)
Frequency Response	150Hz — 18kHz
Directivity (Beam Width)	50°
Maximum Cable Distance	200ft / 60m (between microphone and control)
Applicable Cable	Twisted two-core, shielded cable
Mute Function	Mechanical mute switch
Dimensions	19.1" (W) x 0.78" (H) x 2.36" (D)

CONTROL UNIT (AM-1C)

Power Source	24DCV 400mA (including microphone power / supplied by AC adapter)
S/N (Microphone)	Over 90dB
Input	Microphone input (audio and communication), female XLR 3P x 1
Audio Output	+4dBu/-10dBV (selectable), male XLR 3P x 2 AES/EBU 24bit 110Ω, male XLR 3P x 1
Network Port	RJ45
Accessory	AC adapter

Connection



TOA Corporation
www.toa.jp

Specifications are subject to change without notice.
(1402) 833-61-100-02-00 u